

UC4MHD B44



UC4HD B44

IMPORTANT SAFEGUARDS

Read Instructions: All Safety, installation, and setup instructions should be read before installing or operating the UC4HD/UC4MHD and encoder feedback system. Failure to follow the installation and setup instruction may result in unsatisfactory performance, equipment damage, or physical injury.

1. **Service:** There are no user serviceable parts contained herein. Refer all service to qualified service personnel only.
2. **Risk of Electrical Shock:** Do not remove the valve controller except when servicing the valve. Always turn off all electrical power sources before servicing any mechanical part or assembly. Do not place metal objects in contact with the energized Electronic Control Board at any time.
3. **UC4HD/UC4MHD Power Sources:** The UC4HD/UC4MHD Electronic Elevator Control Valve uses multiple electrical power sources. Hazardous voltages may be present even if one source to the UC4HD/UC4MHD is secured. Verify all voltage sources to the UC4HD/UC4MHD are secured before making repairs.
4. **Wiring:** All wiring should be routed in such a way that it is not likely to be pulled, pinched, stepped on, have objects placed on it, or damaged in any way.

INTRODUCTION AND FEATURES

The Maxton UC4HD / UC4MHD was designed to relieve common pain points with lost time and labor due to call backs and incorrect valve adjustments that become most problematic on high duty heat trouble hydraulic elevators. Simple menu driven screen walks through an up and down learn run for quick setup and adjustment if desired. This is the best overall value in commercial hydraulic elevator control valves today.

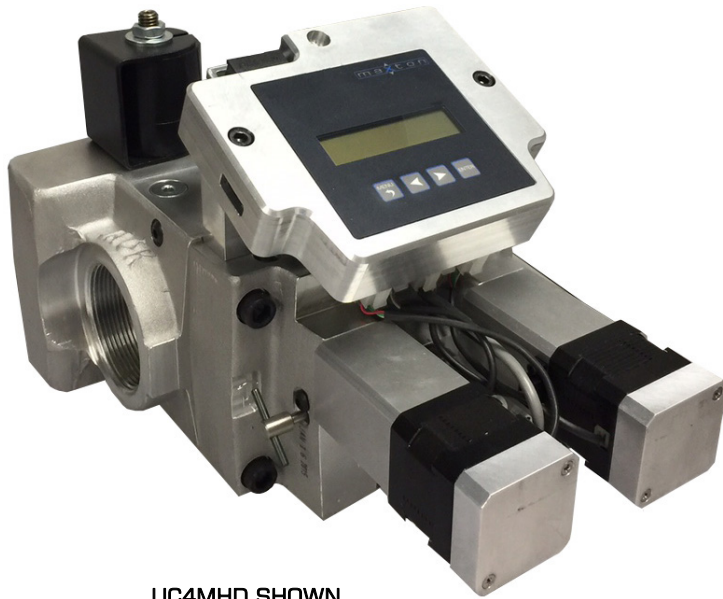
BENEFITS

- Self-adjusted through two learn runs and two entered data points.
- Valve setup time after install less than 5 minutes.
- Drop in retrofit to Maxton UC4/4M plumbing configurations.
- No adjustment required (seasonal or otherwise).
- Optimal solution for troublesome hot high duty low rise applications.
- Stabilized leveling speed achieved in shortest distance possible reducing heat generation.
- Reduce run times for a more efficient system.
- Compensated for temperature/pressure (load).
- No pre-programming required.
- Traction "like" ride & high duty performance.
- Closed loop feedback system
- Parts available from Maxton
- Free technical support
- Made in the USA



SPECIFICATIONS

UC4HD / UC4MHD



UC4MHD SHOWN

	USA	METRIC
Flow Range	MAX 185 gpm	MAX 700 lpm
Operating Pressure		
Min	100 psi	7 bar
Max	800 psi	55 bar
Jack / Tank Ports	2" NPT	*Thread to Groove Adapter (2")
Pump Port	2" NPT or	2" Grooved
Gauge Port "B"	1/8" NPT	
Gauge Port "A"	1/8" NPT	
Pressure Port "S"	1/8" NPT	
Operating Temperature	80 - 150°F	26 - 65°C
Oil Type	Hydraulic ISO VG 32 150 SUS @ 100°F or equivalent biodegradable oil	
Electrical Input Provided by Elevator Contractor		
Valve Controller Power Supply	+24 VDC 5.0A (Regulated)	
Pump Disable Circuit	+115 VAC or 208/230 VAC	
Coil Input Signals	+115 VAC or 208/230 VAC	

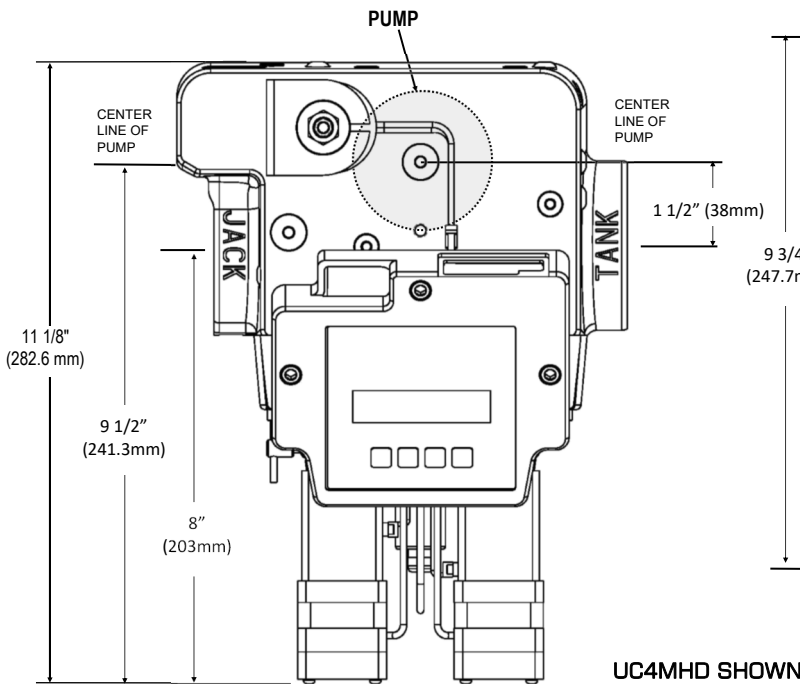
Overall Dimensions:

Width:	8 7/16"	214 mm
Height:	9 3/4"	247.7 mm
Depth:	11 1/8"	282.6 mm
Weight:	23 lbs	10.4 kg.

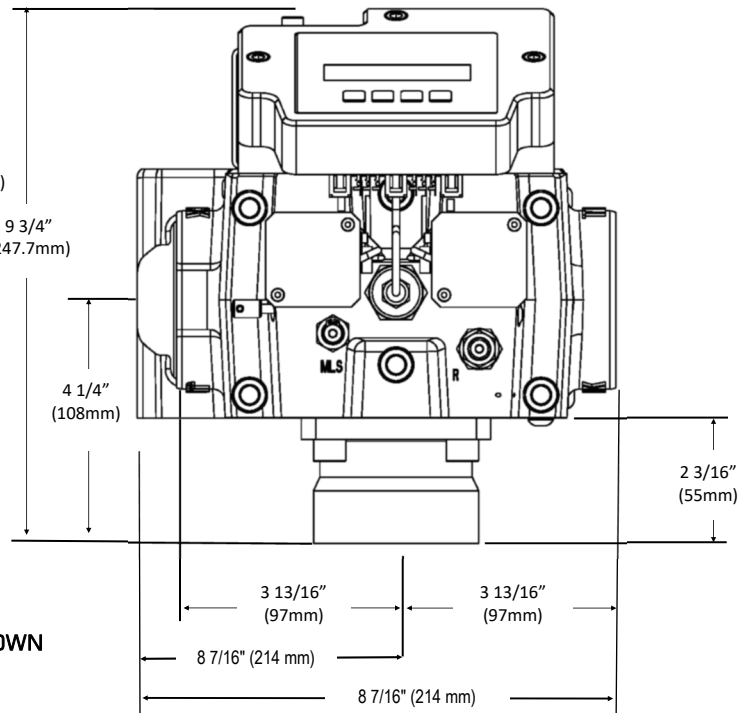
MAJOR COMPONENTS & PORT LOCATIONS

Use pipe fittings with the following port locations as shown:

Pump: 2" NPT or 2" Grooved Jack: 2" NPT * Tank: 2" NPT *



Top View



Front View

UC4MHD SHOWN