

Location of serial number:

UC3A / UC3AM / UC4 / UC4M / UC4MR: (Prior to 1995)

Stamped on the side of the valve, directly behind the jack outlet, below the LS adjuster.

UC4B44 / UC4MB44 / UC4MRB44: (Post 1995)

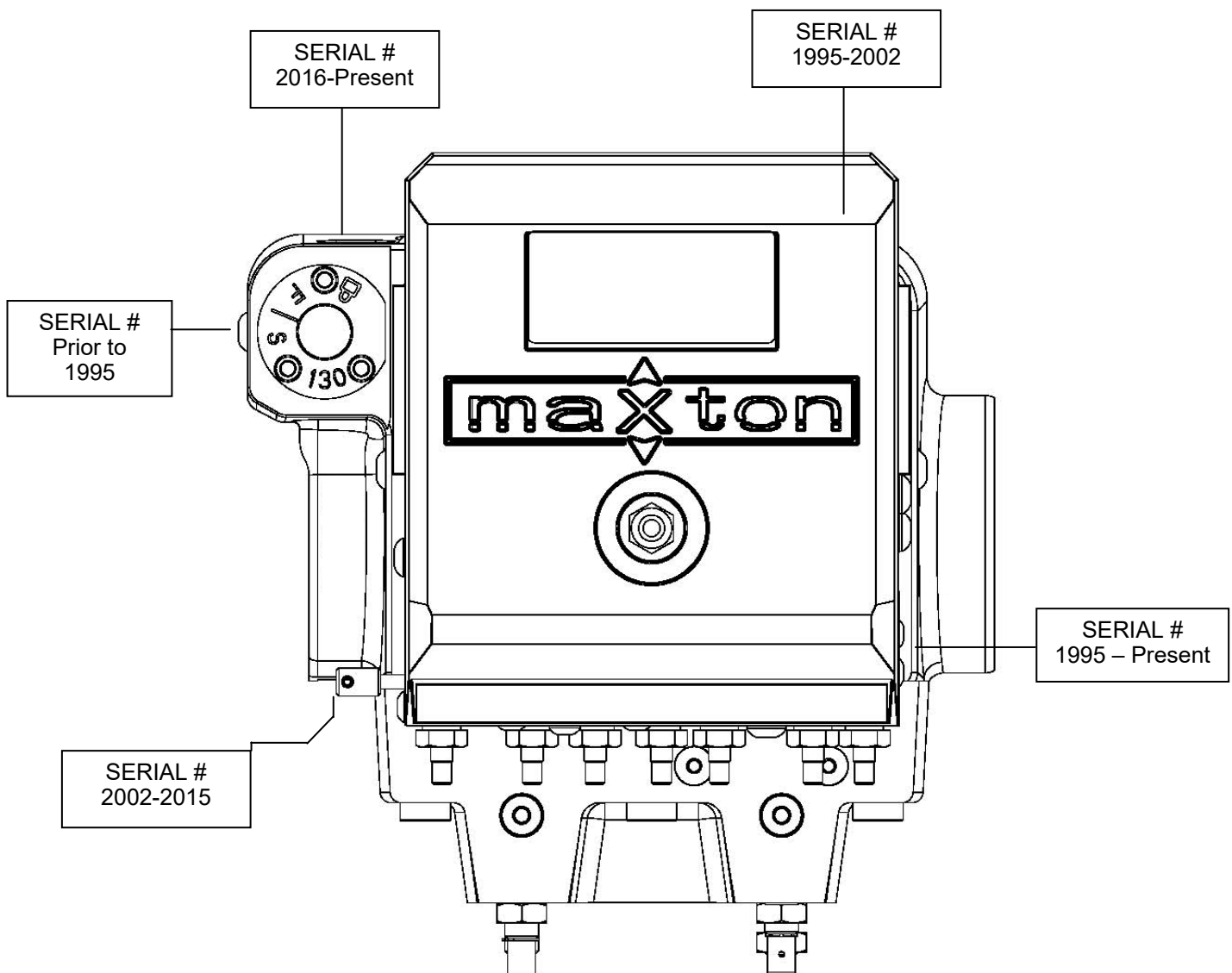
Provided on labels.

2016 - Present: Located on the back of the valve body directly below the LS adjuster.

1995 - Present: Located on the tank side of the control plate, opposite of the ML.

2002-2015: Located on the front of the jack port

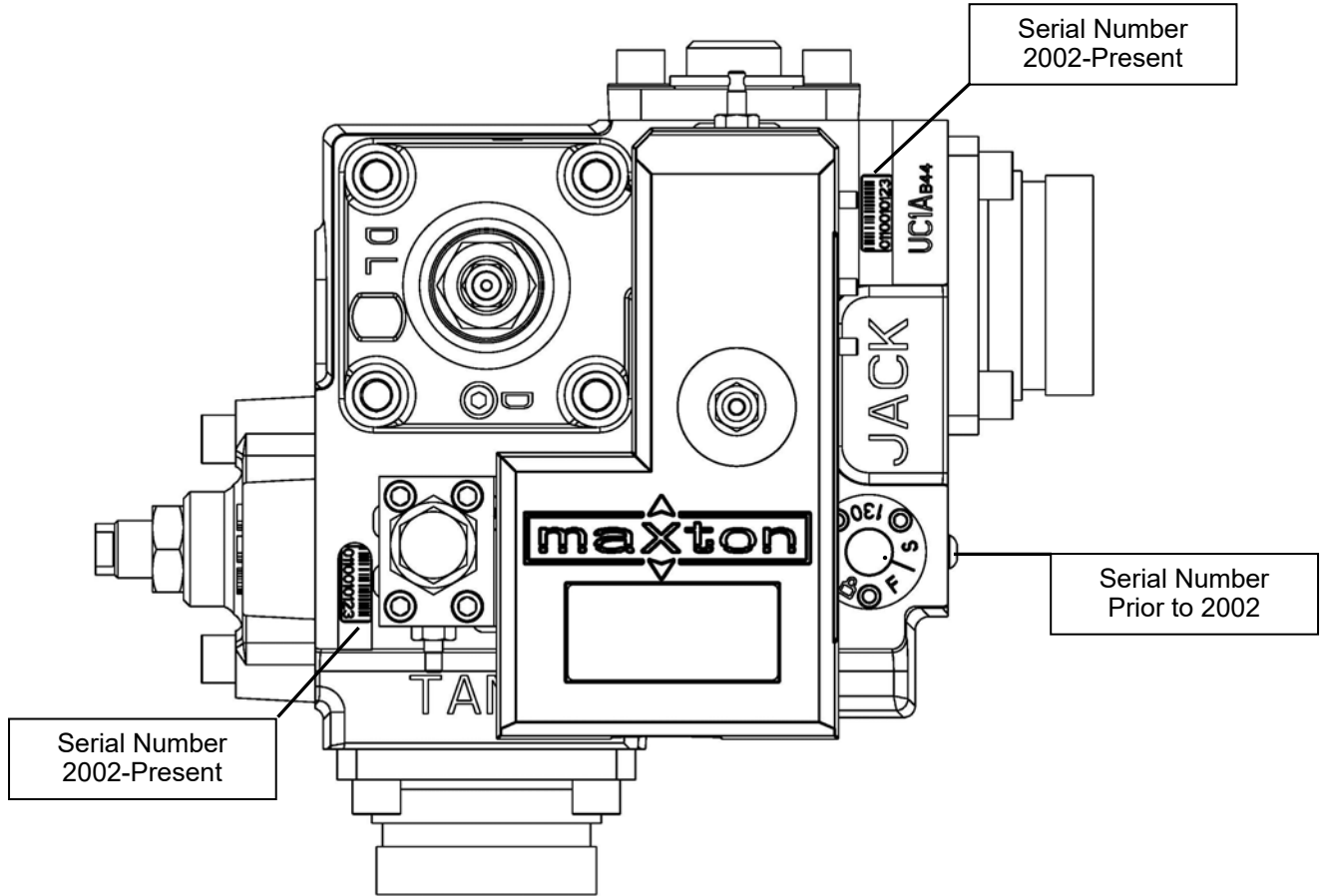
1995-2002: Located on the back of the valve body behind the tank return.



UC4M shown, UC4 is a mirror image

UC1 / UC1A / UC2 / UC2A:

Stamped or labeled, on top of the valve body, behind the jack outlet (in front of the down block and behind the up block). On some very old units the serial number is stamped on the side of the valve, below the L/S adjuster (below the "A" port). 2002



OSV:

Label above the tank port, or in front of the control block on the tank end of the Valve

